



EVOTECH SINGLE MONITOR ARM

Clamp Mounting Method

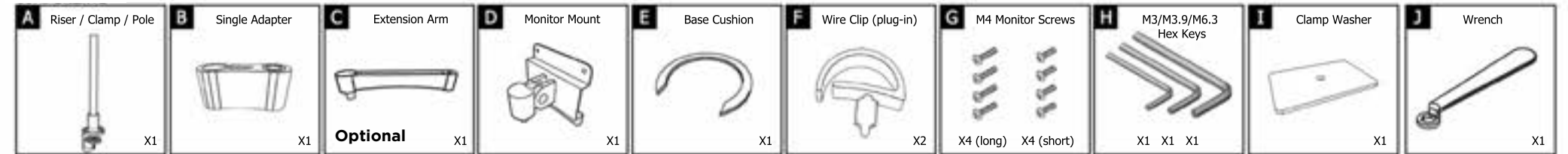
(flip over for Through-Hole Mounting Method)

MODELS: NT-21S / NT-21B / NT-21W

CAUTION

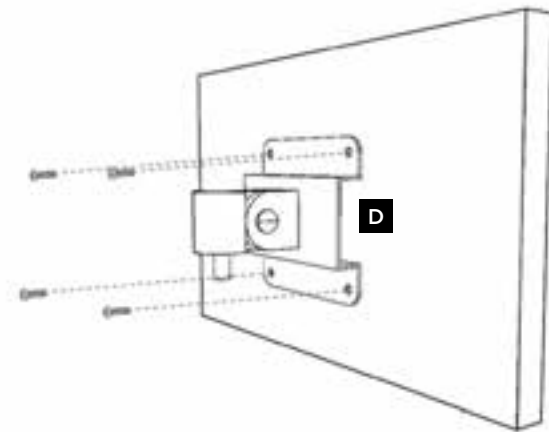
Make sure the surface is stable before mounting any monitor arm.

COMPONENTS



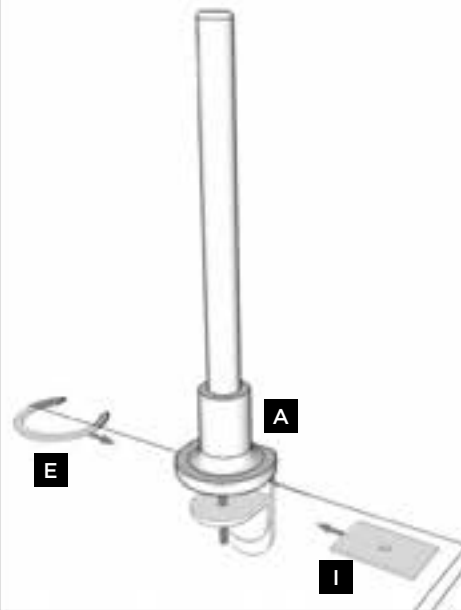
STEP 1

Place the monitor face down on a flat, soft surface. Attach each Monitor Mount (D) to the back of each monitor using a Phillips screwdriver and the M4 screws provided (G). There are two screw lengths provided for your convenience. Use the longest screw that will fully tighten the Monitor Mount (D) to the back of the monitor. The Monitor Mount (D) is designed to fit the industry standard VESA 75mm & 100mm patterns.



STEP 2

Adhere the Base Cushion (E) to underside of the Riser (A). Insert the Clamp Washer (I) on top of the Clamp Screw (pre-installed in the Riser) and tighten to desktop in the desired location using the M6.3 Hex Key (H).



STEP 3

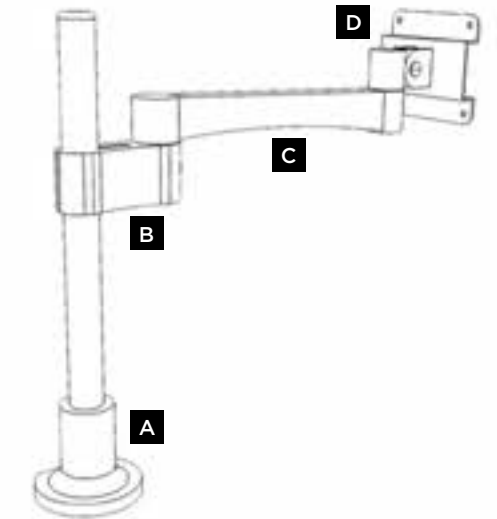
Slide the Single Adapter (B) over the Riser/Pole Assembly (A) and secure in place by tightening the set screw on the Single Adapter using M3 Hex Key (H). Insert the Gas Spring Arms (B) into the Dual Adapter (E). Insert the Extension Arms (C) into the Gas Spring Arms (B). Insert the Monitor Mounts (D) with the monitors attached into the Extension Arms (C).

Once the monitor arms are assembled, lightly tighten the small screws at each joint to prevent the arm from lifting apart.

Use the M2.5 Hex Key (H) provided.

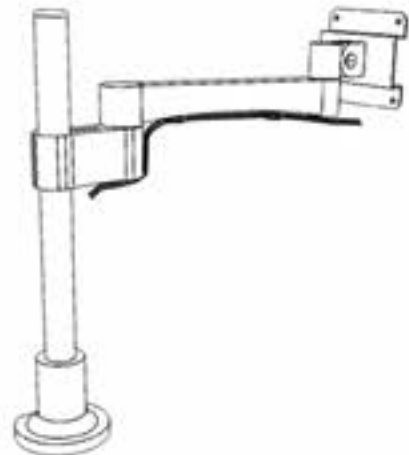
Do not over-tighten the screws.

NOTE:
Extension Arm (C) may be excluded if desired.



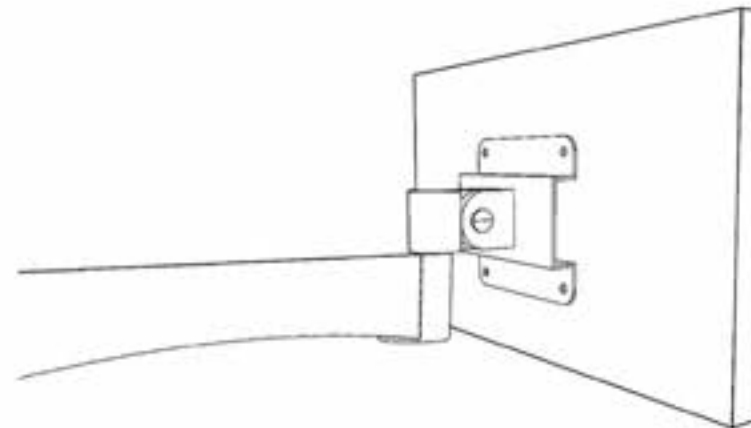
STEP 4 Optional

Insert the two provided Wire Clips (F) into the underside of the extension Arm (C). Run the monitor cables through the Wire Clips (F). Make sure the cables are not pulled tight. There should be some slack in the cables to allow the arm to move freely without restriction.



STEP 5

The Monitor Mount (D) tilts up/down. Once you have the monitor installed, carefully loosen the nut behind the bracket with the Wrench (J). Position the monitor where you want it and tighten the nut with the Wrench (J).





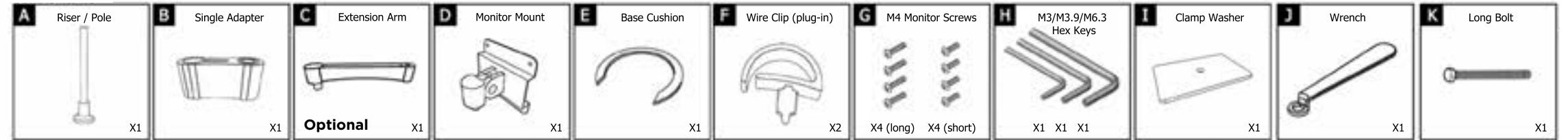
EVOTECH SINGLE MONITOR ARM

Through-Hole/Grommet Mounting Method

(flip over for Clamp Mounting Method)

MODELS: NT-21S / NT-21B / NT-21W

COMPONENTS

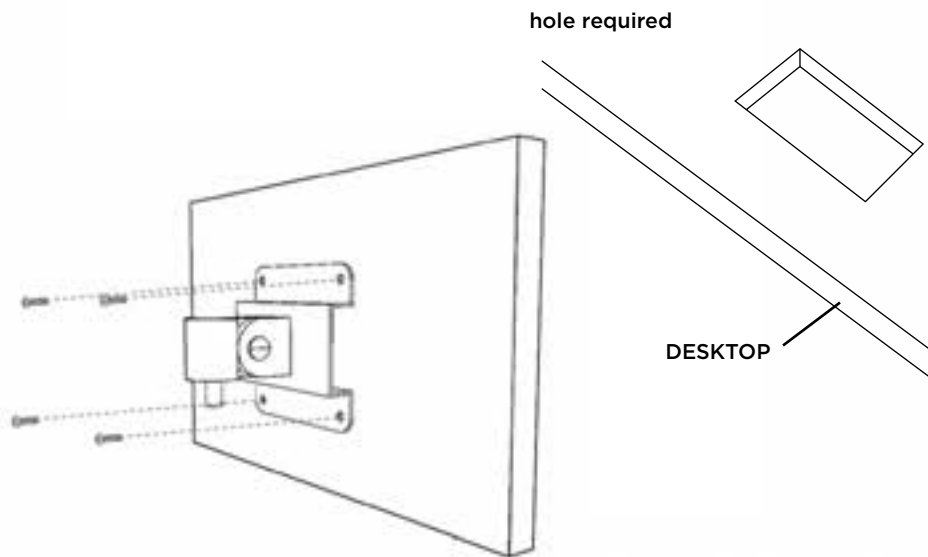


CAUTION

Make sure the surface is stable before mounting any monitor arm.

STEP 1

Place the monitor face down on a flat, soft surface. Attach each Monitor Mount (D) to the back of each monitor using a Phillips screwdriver and the M4 screws provided (G). There are two screw lengths provided for your convenience. Use the longest screw that will fully tighten the Monitor Mount (D) to the back of the monitor. The Monitor Mount (D) is designed to fit the industry standard VESA 75mm & 100mm patterns.

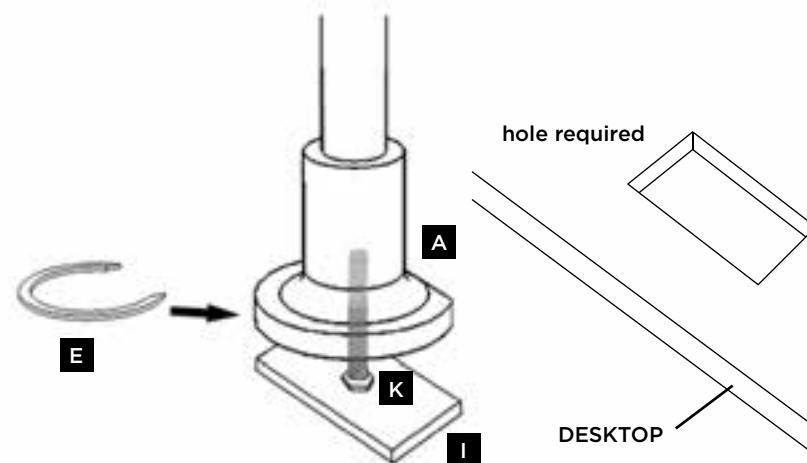


STEP 2

If the Clamp Mount is attached to the underside of the Riser (A), remove it using the M6.3 Hex Key (H). The Clamp Mount (shown on reverse side) is not needed for Through-Hole mounting.

Adhere the Base Cushion (E) to underside of the Riser (A).

Pass the Long Bolt (part K) through the Clamp Washer (I) and from under the desktop. Work the Long Bolt (part K) into the Riser (A). Tighten the Long Bolt (K) using a wrench (not provided).



STEP 3

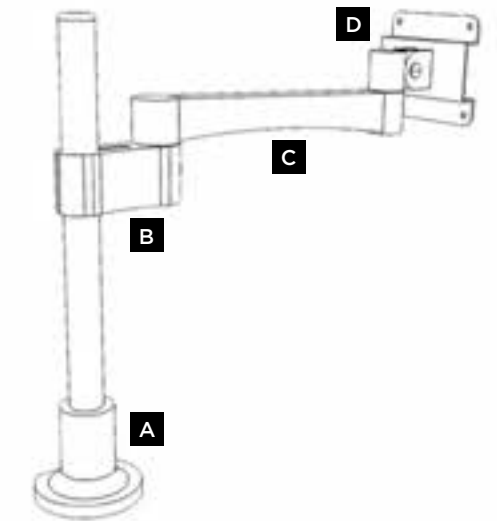
Slide the Single Adapter (B) over the Riser/Pole Assembly (A) and secure in place by tightening the set screw on the Single Adapter using M3 Hex Key (H). Insert the Gas Spring Arms (B) into the Dual Adapter (E). Insert the Extension Arms (C) into the Gas Spring Arms (B). Insert the Monitor Mounts (D) with the monitors attached into the Extension Arms (C).

Once the monitor arms are assembled, lightly tighten the small screws at each joint to prevent the arm from lifting apart.

Use the M2.5 Hex Key (H) provided.

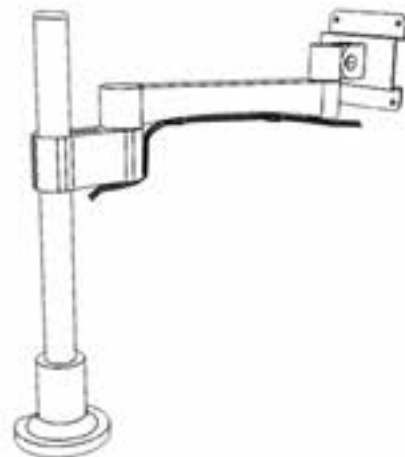
Do not over-tighten the screws.

NOTE:
Extension Arm (C) may be excluded if desired.



STEP 4 Optional

Insert the two provided Wire Clips (F) into the underside of the extension Arm (C). Run the monitor cables through the Wire Clips (F). Make sure the cables are not pulled tight. There should be some slack in the cables to allow the arm to move freely without restriction.



STEP 5

The Monitor Mount (D) tilts up/down. Once you have the monitor installed, carefully loosen the nut behind the bracket with the Wrench (J). Position the monitor where you want it and tighten the nut with the Wrench (J).

