



Assembly Instructions

# Preface

We are delighted that you have chosen NextDesk. Congratulations, you have selected the most advanced and sophisticated power-adjustable workstation available today. Our bodies weren't made to sit or stand for hours at a time. Now you have the choice sit or stand with the press of a button.

This User Manual will provide basic instructions for NextDesk Terra and Air models. We are sure that your NextDesk will provide you many years of enjoyment. Should you ever experience a problem with any our products, please contact us.

Thank you for choosing Nextdesk. We hope you enjoy your NextDesk for many years!

~NextDesk Team



# Table of Contents

Safety Instructions.....	Page 1
Unpacking, Preparation, Tools Needed.....	Page 3
System Components List & Parts List.....	Page 4
Components Diagram.....	Page 5
Step 1 : Connecting Lifting Columns to Desktop.....	Page 6
Step 2 : Connecting Floor Supports to Columns.....	Page 7
Step 3 : Optional Keyboard Installation (If Purchased).....	Page 8
Step 4 : Connecting Cables.....	Page 9
Step 5 : Initializing Desk.....	Page 10
Step 6 : Inserting Support Crossbar.....	Page 11
Step 7 : Cable Management.....	Page 12
Operating Controller.....	Page 13
Anti-Collision Feature.....	Page 15
Maintenance & Description.....	Page 16
Troubleshooting & Repair.....	Page 17
Warranty Information.....	Page 18





## SAFETY INSTRUCTIONS

**WARNING! FAILURE TO COMPLY WITH OR OBSERVE ALL ASSEMBLY, SAFETY AND OPERATING INSTRUCTIONS AND WARNING REGARDING THE USE OF THIS PRODUCT MAY RESULT IN SERIOUS BODILY INJURY.**

The safety of NextDesk clients and users are our primary concern. To assure safer operation:



Read and understand this manual before attempting to install or operate NextDesk



Assure that everyone who uses NextDesk is informed of the contents of this manual. This is the responsibility of the Purchaser.



Assure that this manual is located near the NextDesk and if possible, permanently affixed to the desk.

Safe use of the system is possible only when the operating instructions are read completely and the instructions contained are strictly observed.

Failure to comply with instructions marked with the "NOTE" symbol may result in serious damage to the system or one of its components. Persons who do not have the necessary experience or knowledge of NextDesk must not use the product. Persons with reduced physical or mental abilities must not use NextDesk, unless they are under supervision or they have been thoroughly instructed in the use of the apparatus by a person who is responsible for the safety of these persons.



### **QUICK TIP: IS YOUR FLOOR UNLEVEL?**

NextDesk is intended for use on level floors. If you determine that your floor is unlevel, you may wish to order floor supports with leveling screw pads.





## SAFETY INSTRUCTIONS (cont.)

Children must be under close supervision to ensure that they do not play with the product.



It is important for everyone who is installing or using NextDesk to have the necessary information and access to this User Manual.



If there is visible damage on the product it must not be installed.



NextDesk is not intended for use by young children or for those persons who require supervision.



Children should be supervised to ensure that they do not use or play with NextDesk.

### **Before Installation, Reinstallation, or Troubleshooting:**



Stop NextDesk.



Switch the power supply and pull out the main power supply plug.



Relieve NextDesk of any loads, which may be released when unexpected.

### **Before Start-up:**



Make sure NextDesk has been installed as specified in this manual.



System Connection - the individual parts must be connected before the control box is connected to the main power supply.



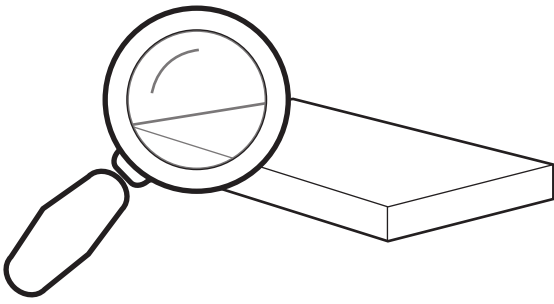
If the control box makes unusual noises or has an odor, switch off the main power supply immediately.



Make sure the cables are not damaged

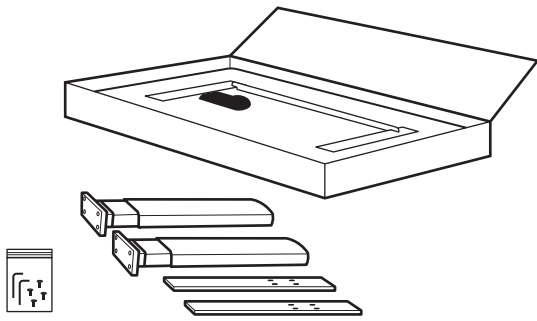


## UNPACKING:



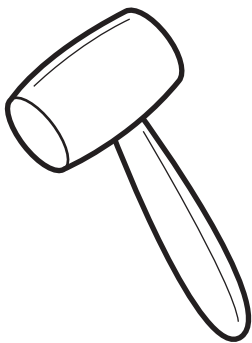
Carefully remove the packaging from NextDesk and then inspect all components for any shipping damage. Report any damage to the shipping company and fill out a concealed damage report.

## PREPARATION:



It is recommended to leave desktop in the original box for steps 1-6 to preserve the desktop finish. Remove all other parts from the box.

## ADDITIONAL TOOLS NEEDED:



Rubber Mallet (or Hammer with Wood Block)



### **QUICK TIP: INSTALLING SCREWS**

DO NOT over tighten screws during installation











## SYSTEM COMPONENTS LIST

- 2** - Upper Supports (pre-mounted)
- 1** - Microprocessor Control Box (pre-mounted)
- 1** - Push-Button Controller with Memory Presets (pre-mounted)
- 2** - Power Lifting Columns
- 2** - Support Bases
- 1** - Main Power Cable (pre-installed for desks with Power Management option)
- 2** - Motor Cables



## PARTS LIST

-  **8** - M6-25mm Machine Screw (Long)
-  **8** - M6-14mm Machine Screw (Short)
-  **1** - Allen Wrench / Hex Key (5/32)
-  **1** - Allen Wrench / Hex Key (1/8)
-  **2** - Motor Cables (pre-wired to control box)
-  **1** - Power Cord
-  **10** - Adhesive Zip Ties
-  **1 / 2 / 3** (Depending on Order Specs) - Desk Grommet(s)





# COMPONENTS DIAGRAM

Grommet  
(1, 2, or 3)

Microprocessor Control Box  
(reference detail below)

Desktop

Dovetail Bracket  
(see detail below)

Upper Support x2

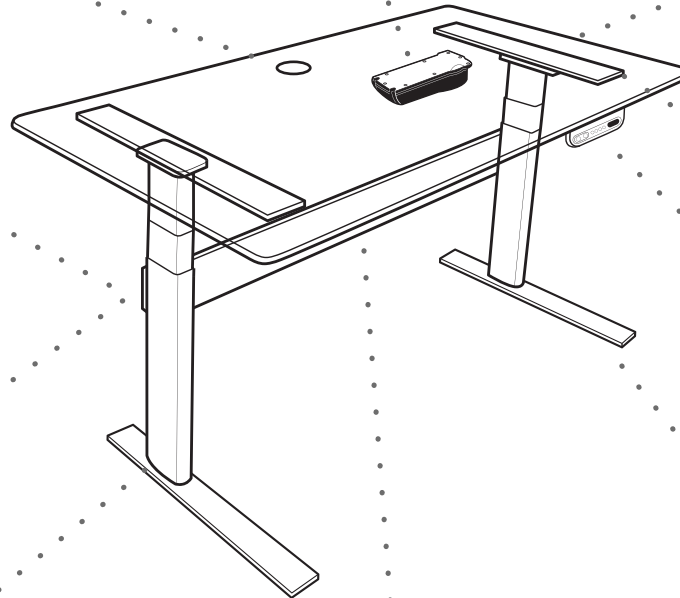
Dovetail Receptacle  
(see detail below)

Digital Controller

Lifting Column

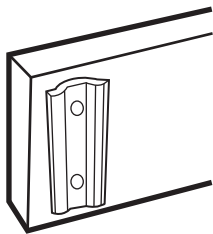
Crossbar

Base Support x2



## Dovetail Bracket Detail

Located on Crossbar



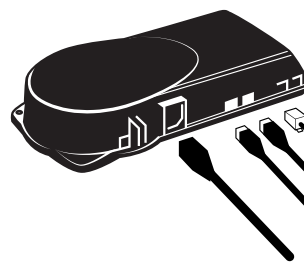
## Dovetail Bracket Receptacle Detail

Located on  
Lifting Column



## Microprocessor Control Box

(Top View)



Anti-Collision  
Dongle

Controller Cable

Lifting Column  
Connectors

Power Cable





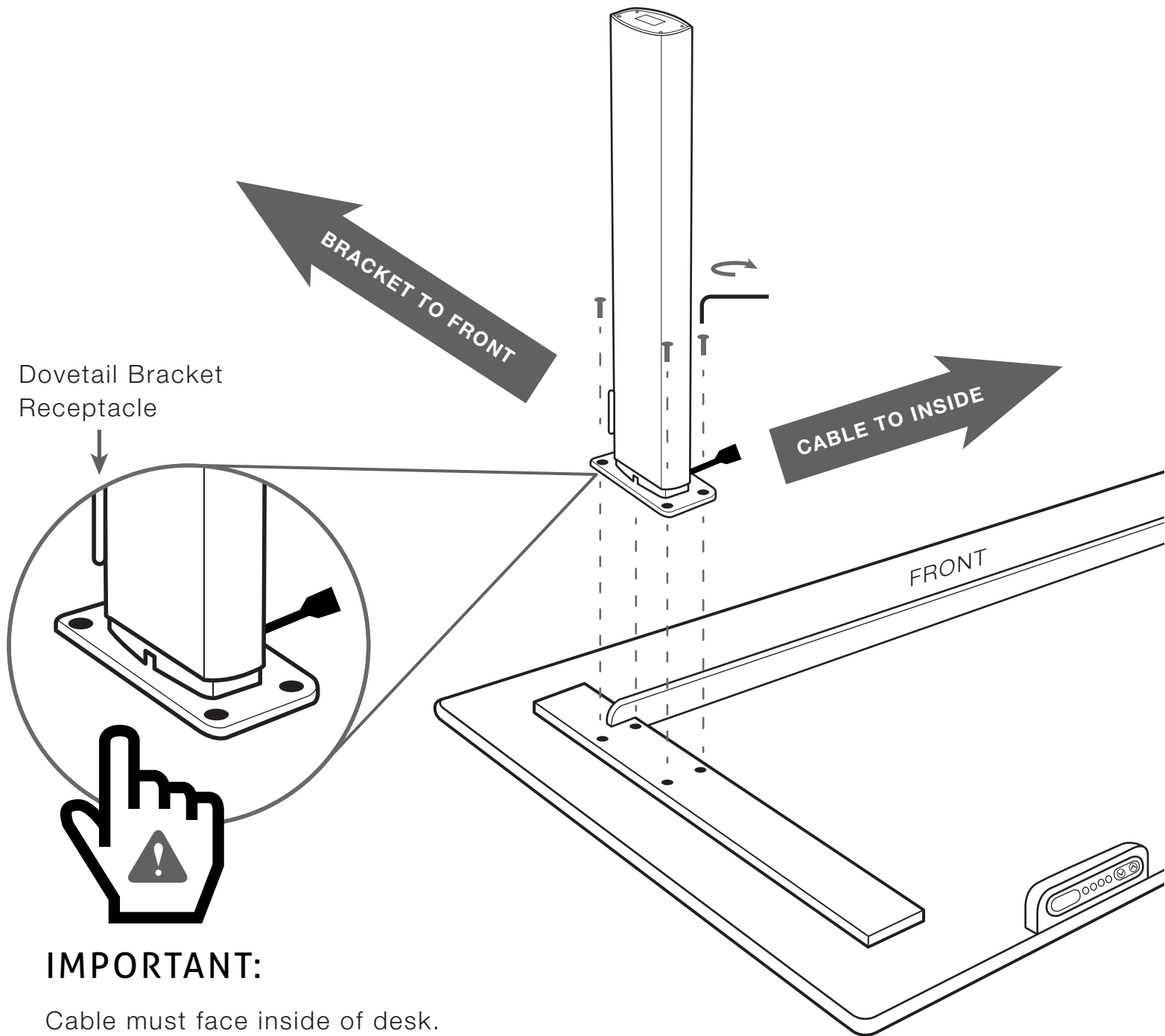
Step  
**1**

# CONNECT LIFTING COLUMNS TO DESKTOP x2



## Hardware Required

M6 - 14mm Machine Screws x 8  
(the shorter screws)



## IMPORTANT:

Cable must face inside of desk.  
Dovetail bracket receptacle must face  
front of desk.(side opposite of controller)



Step

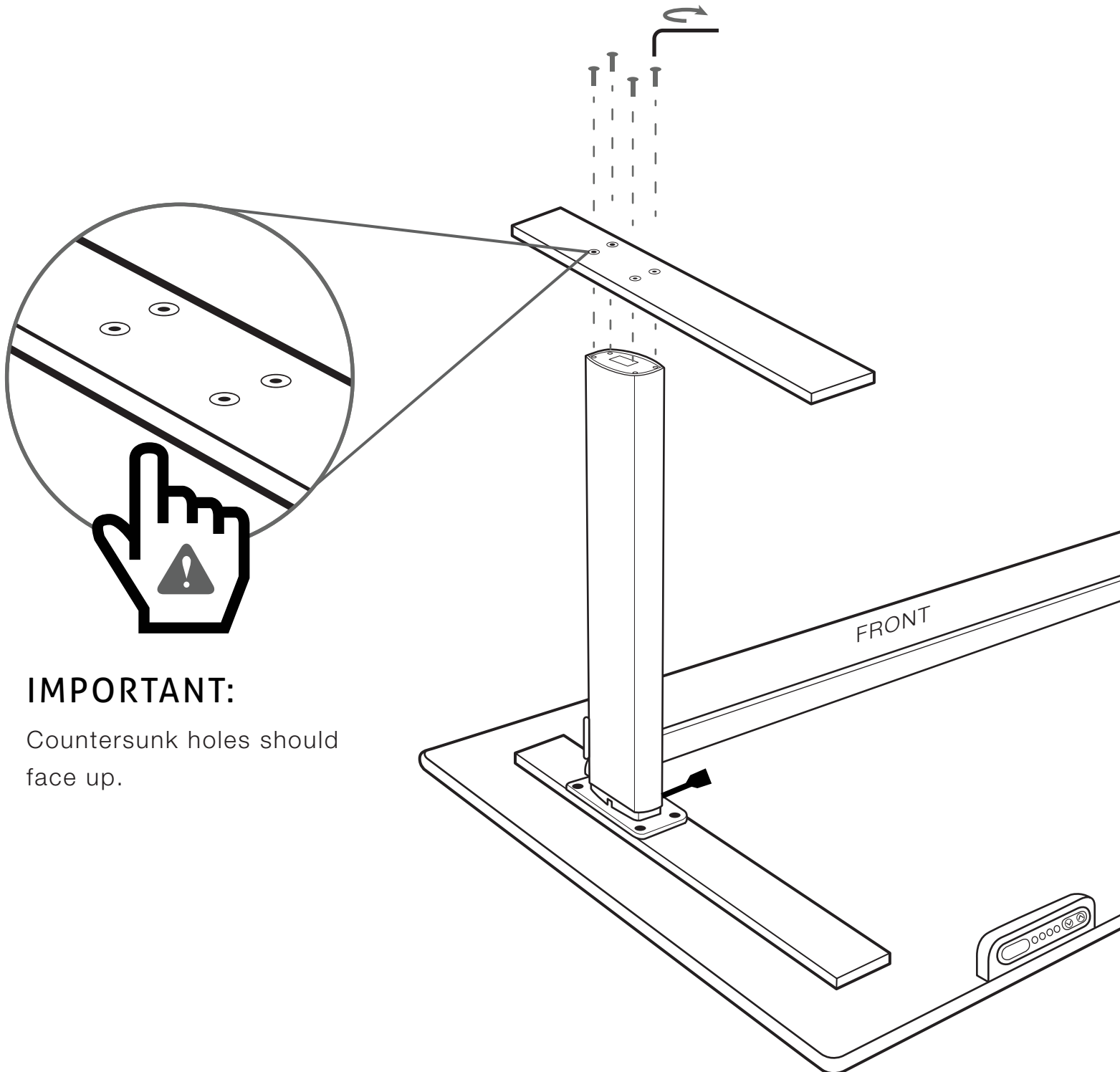
2

## CONNECT FLOOR SUPPORTS TO COLUMNS x2



### Hardware Required

M6 - 26mm Machine Screws x 8  
(the longer screws)



### IMPORTANT:

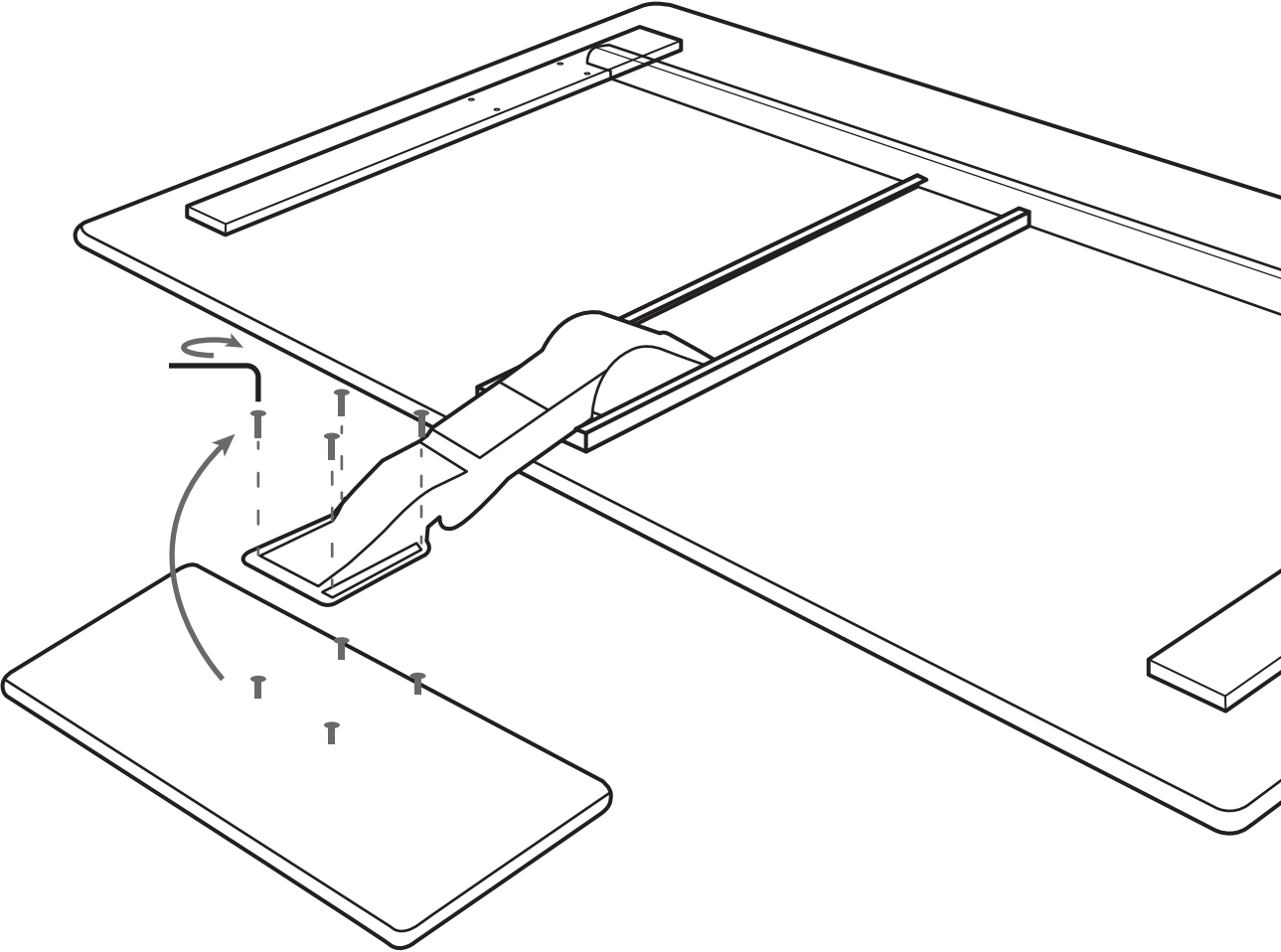
Countersunk holes should  
face up.



Step  
**3**

# OPTIONAL: CONNECTING NEXTSPACE KEYBOARD PLATFORM (if purchased)

Remove screws from keyboard platform. Align platform with keyboard slide screw inserts. Use small allen wrench to attach 4 screws.



**IMPORTANT:**

Tape keyboard platform after installation to prevent it from sliding out during Step 5

**NOTE:**

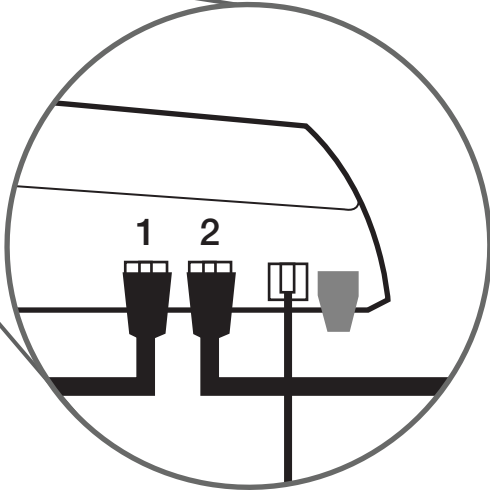
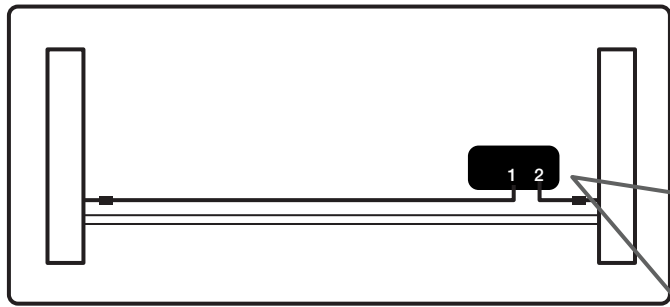
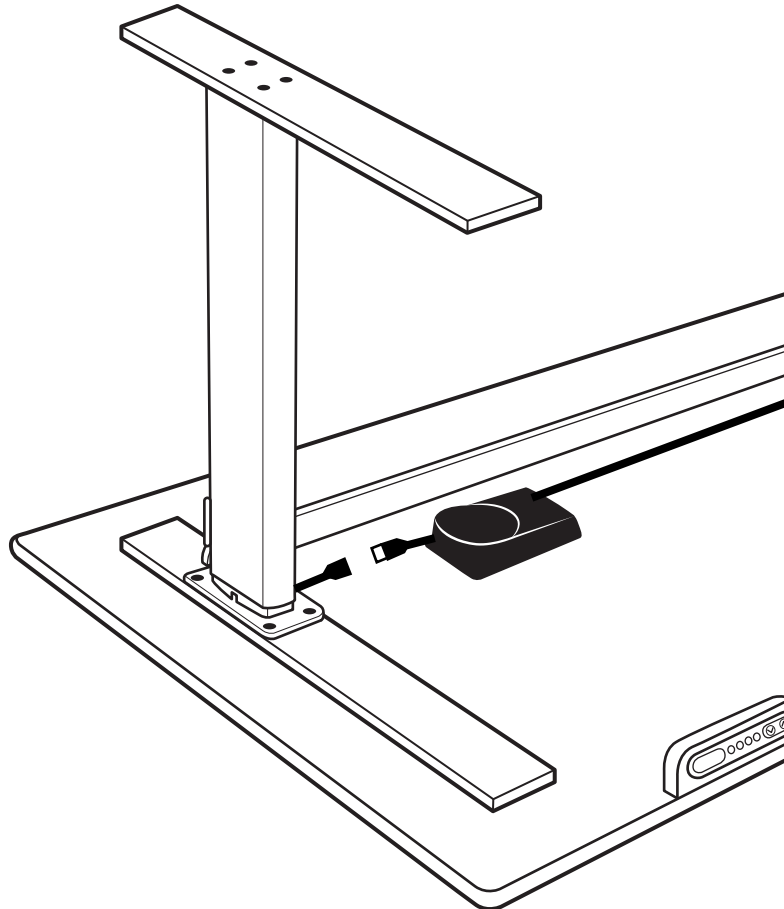
All Terra models are pre-drilled for NextSpace. Contact NextDesk to Upgrade.



Step  
**4**

# CONNECT CABLES

Motor cables are pre-mounted to desktop and pre-wired to the control box. Plug each motor cable into the cable leading to the control box.



## IMPORTANT:

**DO NOT** plug desk into power outlet at this time.

## Step 5

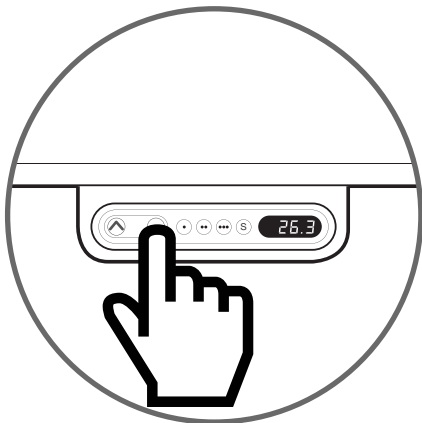
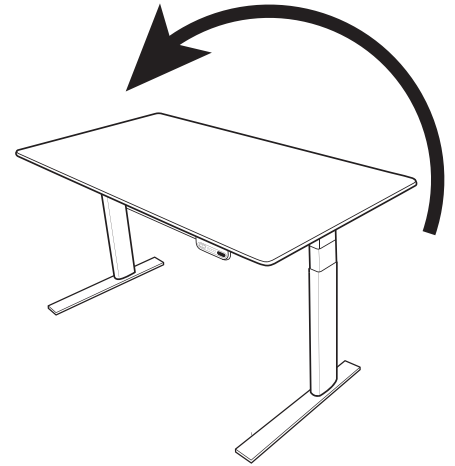
# INITIALIZE DESK



## IMPORTANT:


Using two people, carefully turn desk upright on level floor. Desk is **NOT** complete. **DO NOT** put weight or load on desk.


NextDesk weighs about 100 lbs. Get an assistant to help turn and move the desk. Use proper lifting techniques when lifting. Failure to do so could result in serious back injury.




**A.** Connect power cord to standard wall outlet. For desks with Power Management, the power cord is factory attached. For desks without Power Management, plug power cord into the control box prior to connecting to wall outlet.

**B.** Press and hold the (  ) button until the lifting columns have completely retracted and continue to hold for 5 seconds after all movement stops.

**C.** Once the columns are completely retracted, they will automatically run approximately 5 mm out again and then slowly run in again. Do not release the (  ) button until 5 seconds after all movement has completely stopped.

**Note:** It is sometimes necessary to press the (  ) button twice to start initialization. There may be a short delay before movement begins.

**Note:** If the (  ) button is released before the sequence is complete then initialization is interrupted and the process must be started again from the beginning.

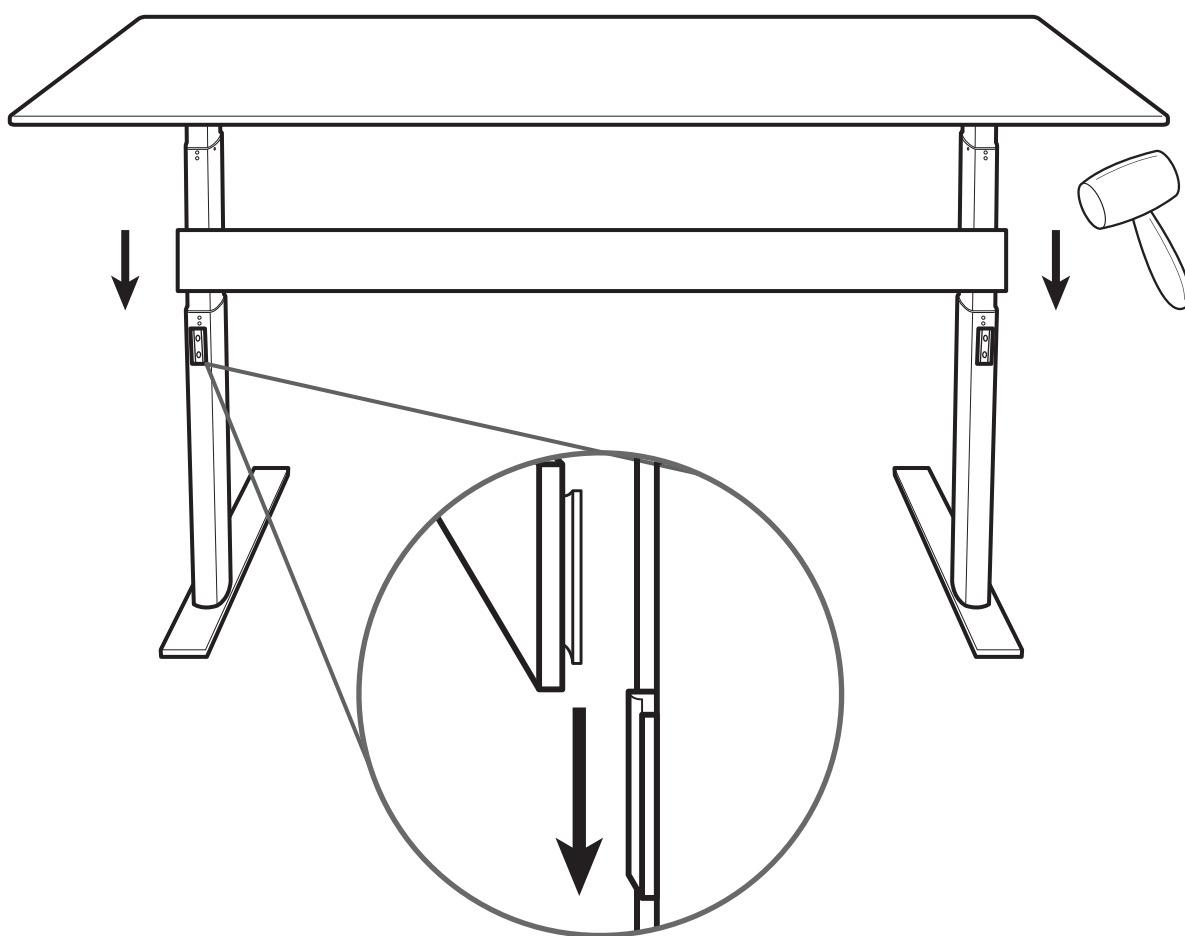


Step

6

## INSERT CROSSBAR

Raise desk 18" by pressing the up (⬆) key. Connect the crossbar by matching to male dovetail brackets to the receptacle brackets on the lifting column. Connect each bracket simultaneously, sliding down into place. **DO NOT** force. Secure crossbar by gently tapping with rubber mallet.



### IMPORTANT:

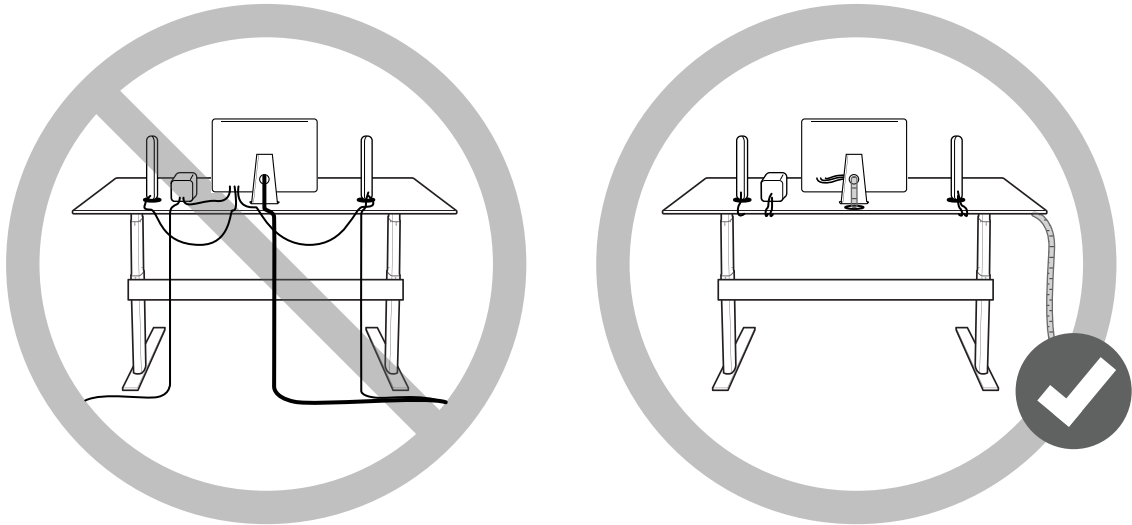
Ensure all screws on NextDesk are tight  
(DO NOT over tighten)



Step  
7

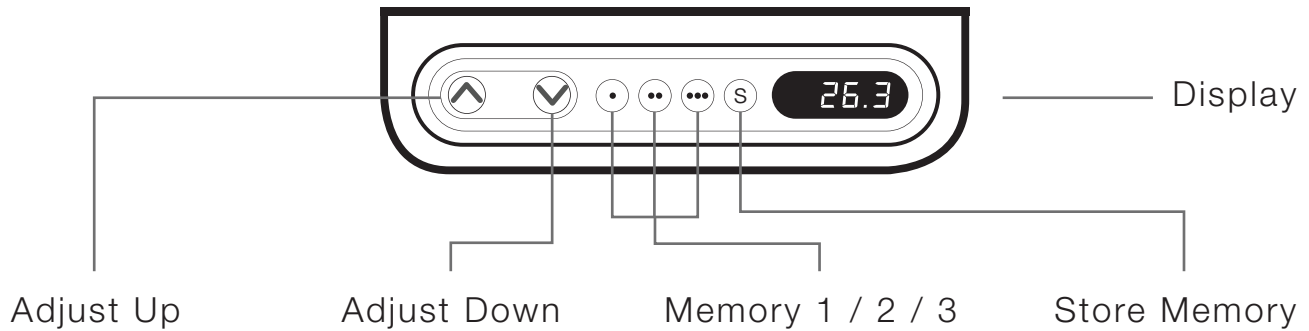
## CABLE MANAGEMENT

Maintain the sleek lines of NextDesk. Spend a few minutes to tidy up all visible cords and cables and then cover with NextFlex.



- Straighten and untangle cables. Connect loose cables into a bundle
- Group the main cables running to your desk into a bundle. (main power cable/network cable/printer cable).
- Group the cables between your PC and desktop into a bundle (monitor/speakers)
- Cover bundles with NextFlex expandable cable cover
- Attach the self-adhesive zip ties underneath NextDesk and secure cables and bundles
- Consider the optional NextDesk Vanity Cover/Cable Raceway for even easier cable management (available in matching aluminum)





### Up and Down (▲ ▼)

Press either the up or down button for parallel drive and the system will drive until the button is released again or the system reaches end position.

### Programmable Memory

The four small buttons are used for memory drive/storing memory.

#### Store Memory Presets

- a. Raise or lower the desk to the height you wish to store as a preset.
- b. Press and release the ( S ) button.
- c. Within these two seconds press a memory button ( ● or ●● or ●●● ) the panel will acknowledge by showing "1 ", "2" or "3 " in the display depending on chosen position.

#### Using Memory Presets

Press one of the memory buttons and the system will start driving to the preprogrammed memory position. Keep the button pressed until the position is reached.

#### Display Function





Shows the actual height



**Other Functions:****Adjusting Initial Height**

It may be necessary to adjust the displayed height due to different thicknesses of desktops etc. The control will display 24.5 inch as the default desk height.

**Procedure:**

- a. Press (  ) and (  ) keys at the same time and keep them pressed for 5 seconds. This allows the initial height to be adjusted. Until the initial height is adjusted, the display will show three minuses(---) Hereafter the display will revert to showing the height.
- b. The height can then be adjusted by either (  ) or (  ) until desired height has been reached. The system will return to normal operation (and give a short blink) after 5 seconds of inactivity on the keys.



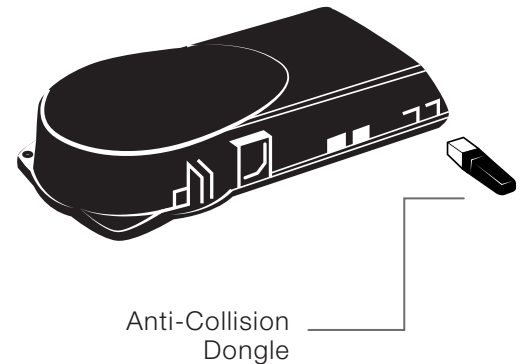
# ANTI-COLLISION™ FEATURE

NextDesk offers an anti-collision feature that can limit material damages to a desk if a collision with a solid object should occur.

## Enabling the anti-collision

To enable the anti-collision function, a dongle must be mounted in one of the two control ports of the control panel on the underside of NextDesk. The function is only active when the dongle is mounted.

*If you remove the dongle the anti-collision function is disabled. Inspect NextDesk prior to use to determine if the anti-collision dongle is properly inserted. Do not use NextDesk if the anti-collision dongle has been removed.*



## Method of operation

The control box monitors the electric consumption on each lifting column. If the electric consumption on one channel is increased more than a predefined slope a collision is assumed. All channels are stopped immediately and all desk legs will start to run in the opposite direction (approximately 50 mm). The anti-collision sensitivity is different in up and downward direction. Upwards the force is approximately 20 kg. Downwards the load will be approximately 40 kg + the load on the desk lifting column (the desk + what is on top of the desk).

## Situations where the anti-collision does not work

These situations are:

- If the collision happens during the initialization phase
- If the collision happens within the first 1000 milliseconds or after the control button has been released
- If the collision happens between the floor and the table and the load on the desk plus the weight of the legs are lower than 40 kg
- If the collision happens over too long of a time, e.g. if the collision is with a soft object.

# Maintenance

Clean dust and dirt on the outside of NextDesk and other components at regular intervals and inspect them for damage and breaks. Inspect the connections, cables, and plugs and check for correct functioning as well as the security of the connection points.



The cleaners and disinfectants must not be highly alkaline or acidic (pH value 6-8).



**WARNING!** The NextDesk systems do not withstand oil.

## Description of the NextDesk

Each NextDesk actuator/lifting column is equipped with a motor and synchronicity is ensured by means of software that also takes account of an oblique load on the desk. Soft start and stop are also part of this software, which ensures a soft start and stop when adjusting the desk.

### **Maximum Duty Cycle:**

Irrespective of the load, the duty cycle of 10% (6 min./ hour) or max. 2 min. at continuous use must NOT be exceeded as this will result in overheating of the motor and control box. Exceeding the duty cycle will result in a dramatic reduction of the life of the system.



# Troubleshooting and Repairs:

## Error Codes

Below are the possible error codes which may be displayed on the controller

Error Code	Description	Solution
E01	Lifting columns are in an unknown position	Initialize or Reinitialize - Refer to Page 10
E02	Overload in upwards direction has occurred.	Reduce the weight on NextDesk
E03	Overload in downwards direction has occurred.	Remove objects that prevent downward movement
E16	Illegal keys are pressed	Release all buttons & press a valid button or button combination

## Repairs:

In order to avoid the risk of malfunction, all NextDesk repairs must be carried out by authorized NextDesk repair centers as special tools and gaskets must be used.



**WARNING!** If any of the NextDesk products are opened, there will be a risk of subsequent malfunction.



# Limited Warranty

## **SCOPE OF WARRANTY**

Next Technologies, Inc. (“NextDesk”) warrants to the original purchaser its new desks (except for components not warranted under “Exclusions”) manufactured by NextDesk to be free from defects in material and workmanship under normal use and service. NextDesk’s obligation under this warranty is limited to the repair or replacement, at NextDesk’s option, of the parts or the products the defects of which are reported to NextDesk within the applicable warranty period and which, upon examination by NextDesk, prove to be defective.

## **APPLICABLE WARRANTY PERIOD**

The applicable warranty period, measured from the date of delivery to the original user, shall be three (3) years for all warranted desks.

## **EXCLUSIONS**

This warranty does not cover and NextDesk shall not be liable for the following:

(1) repairs and replacements because of misuse, abuse, negligence, alteration, accident, freight damage, or tampering; (2) products which are not installed, used, and properly cleaned as required in the NextDesk “Installation” and or “Installation / Operation Manual for this applicable product. (3) products considered to be of a consumable nature; (4) Shipping to or from repair center; (5) accessories or parts not manufactured by NextDesk; (6) charges by anyone for adjustments, repairs, replacement parts, installation, or other work performed upon or in connection with such products which is not expressly authorized in writing in advance by NextDesk.



## **EXCLUSIVE REMEDY**

NextDesk's only obligation under this warranty is the repair or replacement of defective parts. NextDesk shall not be liable for any direct, special, indirect, incidental, exemplary, or consequential damages or delay, including, but not limited to, damages for loss of profits or loss of use.

## **NO AUTHORIZATION**

No person or firm is authorized to create for NextDesk any other obligation or liability in connection with the products.

**THIS WARRANTY IS NEXTDESK'S ONLY WARRANTY AND IS IN LIEU OF ALL OTHER WARRANTIES, EXPRESS OR IMPLIED. NEXTDESK MAKES NO IMPLIED WARRANTIES OF ANY KIND INCLUDING ANY WARRANTIES OF MERCHANTABILITY OR FITNESS FOR ANY PARTICULAR PURPOSE. THIS WARRANTY IS LIMITED TO THE REPAIR OR REPLACEMENT OF DEFECTIVE PARTS.**

